

HSS

ENGINEERING
WARNING SYSTEM SOLUTIONS



Two Compartment Electronics Cabinet



The TWS-290 siren series is the most reliable warning siren system on the market for both warning tones and voice communication

ALL HAZARD HIGH-POWER SIREN SYSTEM TWS-294

The combination of high efficiency and the delivery of a clear (plus intelligible) voice, ensures an excellent warning during any emergency and helps the operator to notify and direct a warning to the affected population. The superior design of this speaker cluster provides a true 360° high sound output throughout the entire frequency range.

The TWS-290 series, with its high-efficiency amplifiers and durable 400-Watt EZ-PULL speaker drivers, provides an alarm for a minimum of 30 minutes, at full output power, solely from its batteries. Everything is built into a high-quality corrosion resistant aluminium cabinet.

This makes the TWS-290 siren series the preferred siren by our customers worldwide.

FEATURES

- 4 Omni-Directional Speaker Cells assembled in a vertical column
- Aluminum Cabinet with separate Battery compartment
- 121 dB(C) @ 100'
- TWS-294 Speaker includes 4 pcs high efficiency 400 Watt EZ-PULL™ speaker drivers
- 15 m speaker cable included
- Battery Powered, minimum of 30 minutes of full power output with batteries of our recommendation
- 3 Stage Switching Mode Battery Charger temperature compensated
- Local Controls or Remote Controls
- 4 pcs High Efficiency Power Amplifiers
- Electronic Siren Controller
- Tone Generator
- Timer
- SI TEST®
- Low Battery Alarm
- IP 66 rating of electronic enclosure
- Antenna Lightning Arrestor
- Six Standard Public Warning Tones – Wail, Whoop, Attack, Hi-Lo, Alert, Airhorn

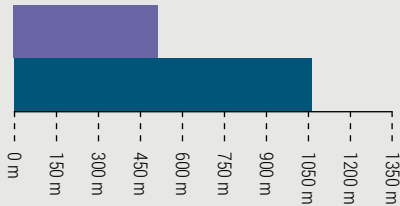


ACOUSTIC PERFORMANCE

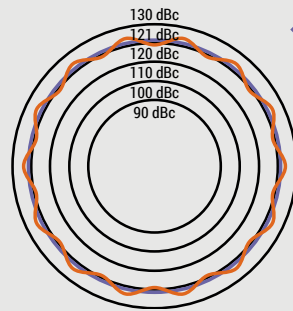
SPL @ 30 m: 121dB(C)

Estimated 80dB range: 533 m

Estimated 70dB range: 1.067 m



Note: 30 m performance levels listed represent repeatable results within +/-2 dB to stated levels. Estimated 80 dB perimeter is based on the Federal Emergency Management Agency's (FEMA) -10 dB per distance doubled path model.



The superior design of the speaker cluster provides a true 360° high sound output throughout the entire frequency range.

ENVIRONMENTAL

Operating Temperature -35° C to +60° C

Storage Temperature -65° C to +125° C

Humidity, Non-Condensing 0 to 95%

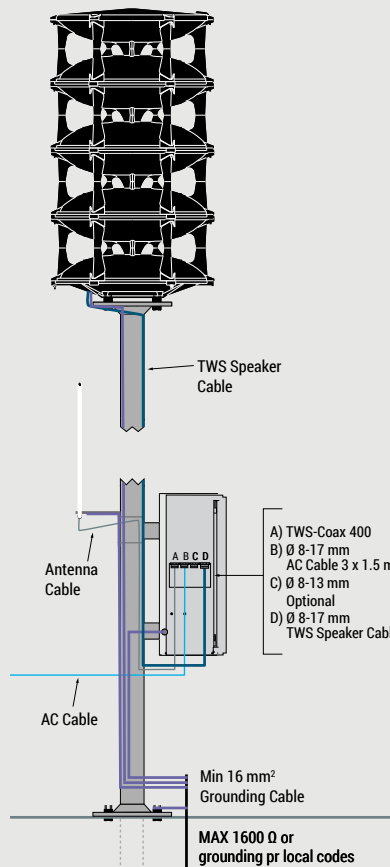
ELECTRICAL

Battery Charger Input	Option of 120/240 VAC or 50/60 Hz
Battery Charger Output	28 VDC, 10A*
Batteries	2 pcs 12 V, AGM sealed. 100 AH. Sold separately
Standby Current	82 mA, 24 VDC
Operating Current	89 A, 24 VDC
Power Amplifier Output Power	1600 Watts during tone / 2000 Watts during voice

U.L. Recognized Component

Component	Height cm (inches)	Width cm (inches)	Depth cm (inches)	Weight kg (lbs.)
TWS-294 Speaker	147,1 (57,9)	84,8 (33,4)		115,3 (254)
Electronics Cabinet	84,5 (33,3)	58,0 (22,8)	35,0 (13,8)	39,7 (87,6)*

* Less batteries. Two batteries: 12 V, sealed, lead-calcium, add 24 kg pr. battery. Less optional radio kit. Add 2,5 kg, if this option is selected.



ORDERING INFORMATION

Product Description	Order No.
Speaker Assembly & Electronics Cabinet	TWS-294
Options	
Auxiliary Activation/ Status Control Board for Contact Closure Activation and Status	AUXCS
Auxiliary Activation Board for Contact Closure	AUXIN
High efficient AC Direct Power Supply Unit	TWS-AC-PSU
GSM Module	GV-GSM-RTU
Tetra Module	GV-TETRA-RTU
Giant Voice® Two Way Landline Control / Status Monitoring	GV-LLM
High standard radios in both analogue and digital versions with wide frequency range within both VHF and UHF	TWS-RADIO
Omni-directional Visual Lighting	TWS-VISUALERT
Top Mounted Strobe Light	TWS-TL31R
Giant Voice® Paging Interface to Interface Whelen Tones with Existing Paging Systems	GV-PGINT
Intrusion Alarm	TWS-INTRU
Solar Power	TWS-SBC100
Two Pairs of Batteries	TWSBATT
Sun Shield for Electronic Cabinet	TWS SUN SHIELD

REV. B

HSS



ENGINEERING
WARNING SYSTEM SOLUTIONS

Laegaardsvej 12 · 8520 Lystrup · Denmark
Phone + 45 7022 8844
Fax + 45 7022 8866
www.hss.dk · info@hss.dk